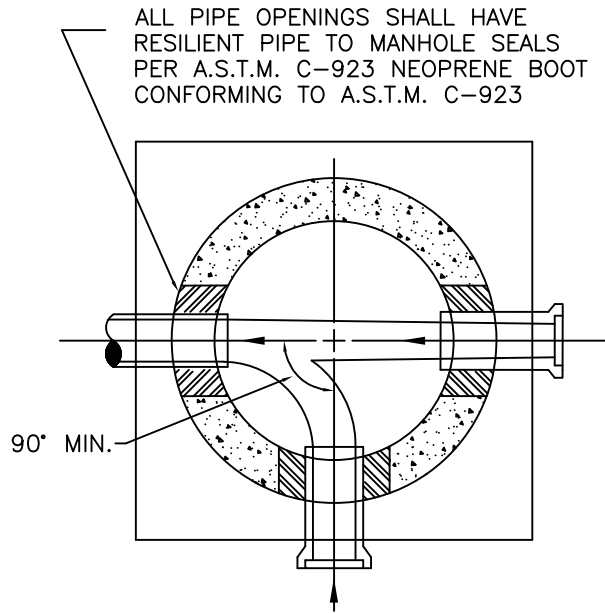
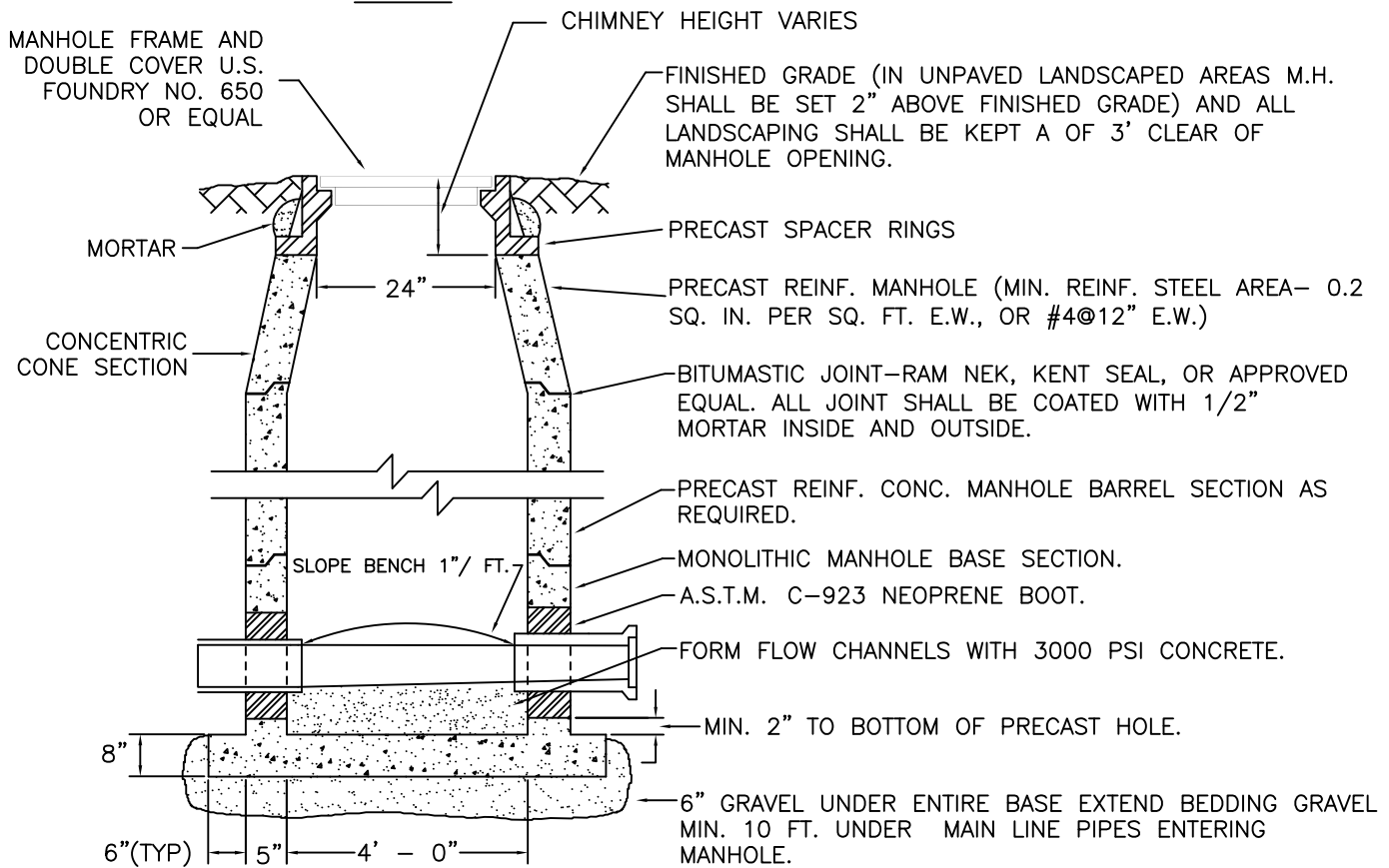


NOTE:

- 1) ALL HOLES FOR PIPES SHALL BE CAST INTO THE MANHOLES. OPENINGS REQUIRED ON ALL EXISTING MANHOLES SHALL BE CORED WITH APPROVED MACHINES.
- 2) WHEN INVERT DIFFERENTIALS BETWEEN PIPES ENTERING MANHOLES IS 2'-0" OR LESS, A "SLIDE" TYPE FLOW CHANNEL MAY BE CONSTRUCTED TO FORM A SMOOTH FLOW TRANSITION. WHEN TWO (2) OR MORE "SLIDE" ARE CONSTRUCTED IN A MANHOLE, THE MANHOLE I.D. SHALL BE 5'-0"
- 3) ALL MANHOLE SECTIONS TO BE COATED ON EXTERIOR WITH 15 MILS. OF BITUMASTIC BEFORE INSTALLED. INTERIOR TO BE COATED WITH GML COATING OR APPROVED EQUAL.
- 4) HDPE PLASTIC MANHOLES CAN BE USED IN LEIU OF CONCRETE.
- 5) NO THROUGH LIFT HOLES.
- 6) PRECAST CONCRETE MANHOLES SHALL CONFORM TO ASTM C-478, AND SHALL BE TYPE II ACID RESISTANT CONCRETE.



PLAN



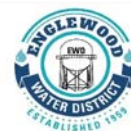
SECTION

LAST REVISION JUNE 2020

CHECKED MM

APPROVED KRL

**STANDARD MANHOLE**



**ENGLEWOOD WATER DISTRICT**  
 201 SELMA AVENUE  
 ENGLEWOOD, FLORIDA 34223